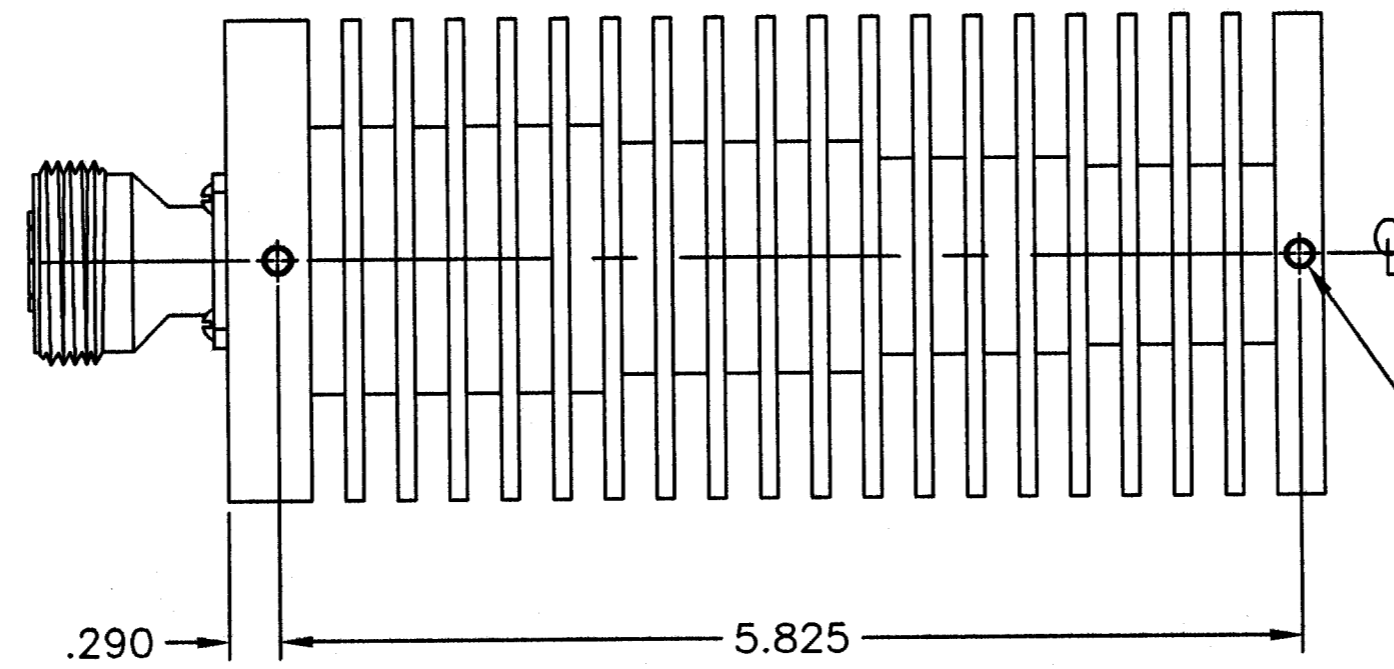
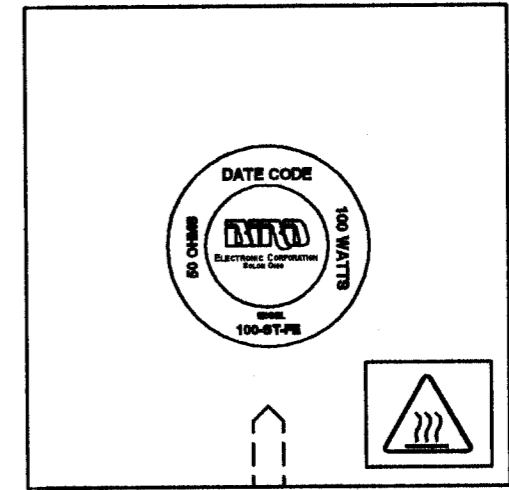
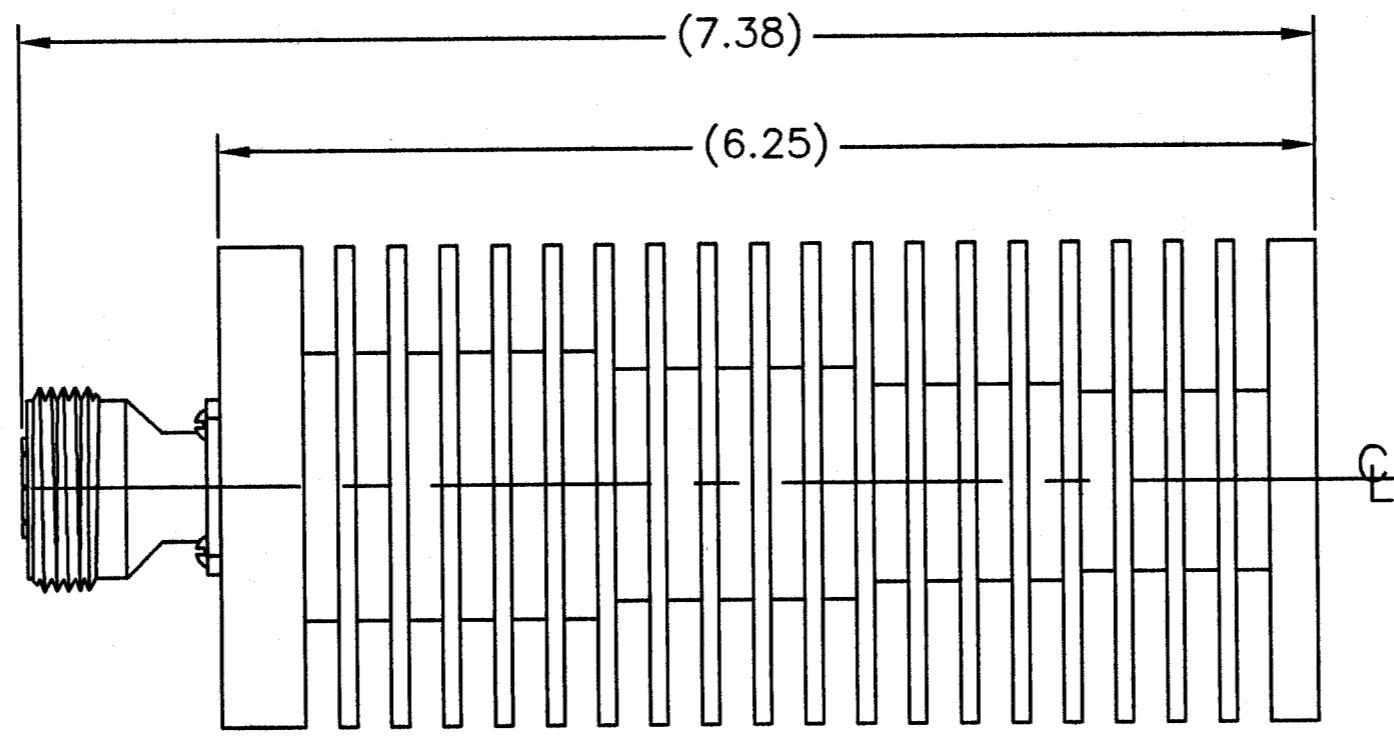
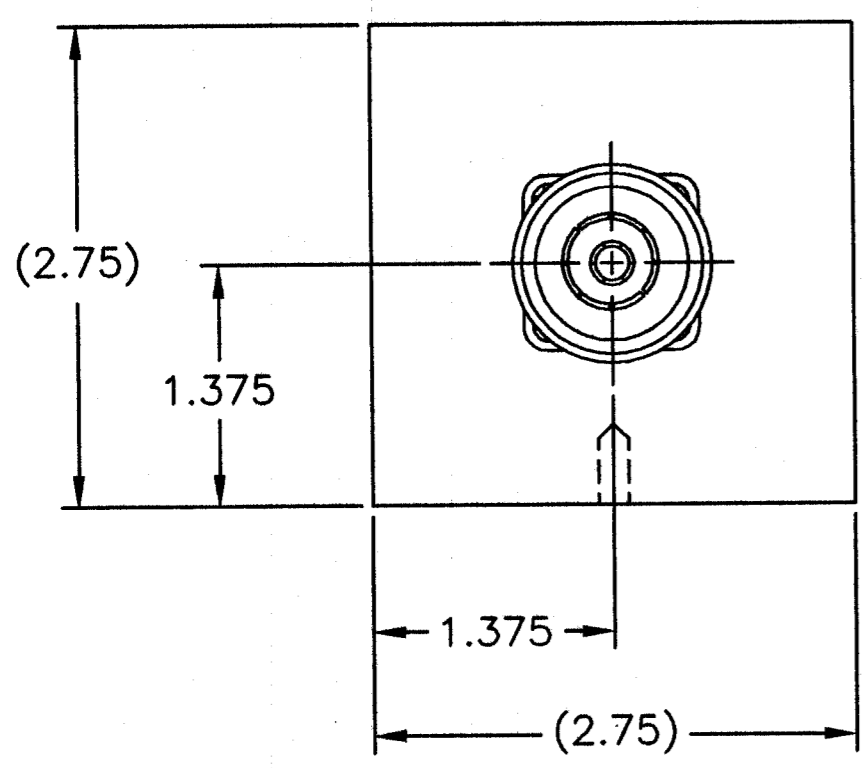


SPECIFICATIONS:  
 IMPEDANCE: 50 OHMS NOMINAL  
 FREQUENCY RANGE: DC TO 4 GHz  
 VSWR: DC TO 1GHz AT 1.10:1 MAX.  
 1GHz TO 4 GHz AT 1.25:1 MAX.  
 POWER RATING: 100 WATTS MAX. @ 40°C.  
 125 WATTS MAX. @ 25°C.  
 COOLING FIN: ALUMINUM, BLACK ANODIZED  
 HEAT SPREADER: ALUMINUM, TRI-ALLOY PLATED  
 CONNECTOR: 7/16 IEC, FEMALE, TRI-ALLOY PLATED  
 OPERATING POSITION: ANY  
 NOMINAL SIZE: APPROX. 7.38" L. X 2.75" SQ.  
 WEIGHT: 42 OZ. MAX.

REVISIONS		DWG. NO.	100-ST-FE	SHEET	REV
ZONE	REV	DESCRIPTION	DATE	1	A
	A	ECN #0210	11-5-98		MRJ



2x 6-32UNC-2B X .375 DEEP

UNLESS OTHERWISE SPECIFIED DIMENSIONS ARE IN INCHES TOLERANCES ARE: FRACTIONS DECIMALS ANGLES ± 1/64 ± .010 ± 30'	MILLIMETERS X = ±.4 XX = ±.12	THIS DRAWING IS THE PROPERTY OF THE BIRD ELECTRONIC CORPORATION. THE DESIGNS AND SPECIFICATIONS DISCLOSED HEREON ARE PROPRIETARY AND SHALL NOT BE REPRODUCED, NOR COPIED, NOR USED AS THE BASIS FOR THE MANUFACTURE OR SALE OF APPARATUS OR DEVICES WITHOUT THEIR EXPRESS WRITTEN CONSENT.	<b>BIRD</b> Electronic Corporation Cleveland (Solon) Ohio USA
DO NOT SCALE DRAWING		APPROVALS	TITLE
MATERIAL	DRAWN D.M.RINK	DATE 3-6-03	TERMINATION, AXIAL, CONVECTION COOLED, 7/16 IEC FEMALE, 100W
FINISH	CHECKED	APPROVED <i>MRJ</i>	SIZE FSCM NO. DWG. NO. REV C 70998 100-ST-FE A
		SCALE 1:1	COMM CODE LD1 SHEET 1 OF 1